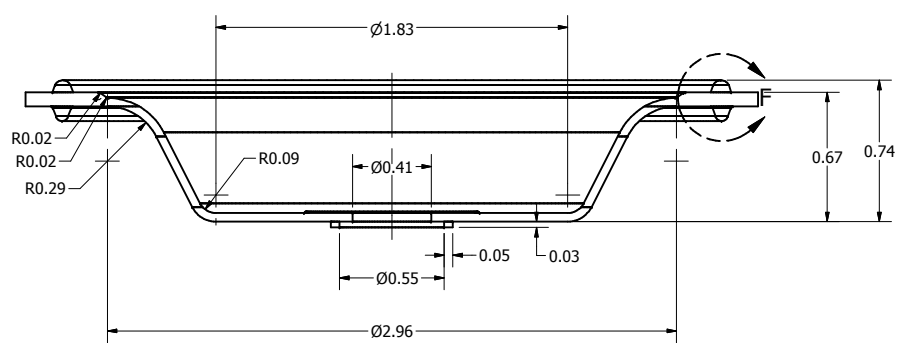
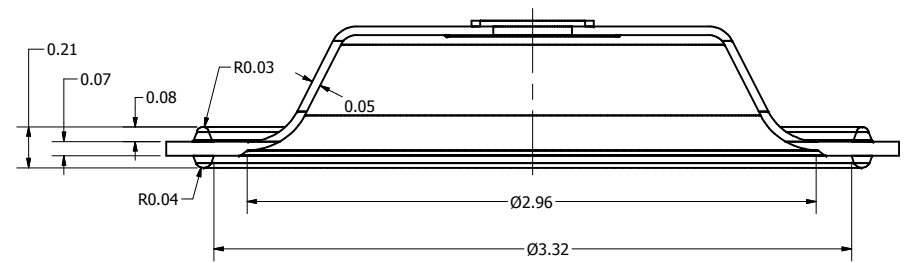


DETAIL F
SCALE 4 : 1



SECTION C-C
SCALE 2 : 1



SECTION E-E
SCALE 2 : 1

TOLERANCES (EXCEPT WHERE NOTED)	DRAWN Henry D	4/5/2012	RPP Corporation 12 BALLARD WAY, LAWRENCE MA, 01843		
	CHECKED				
DECIMAL	QA		TITLE Diaphragm		
XX ± 0.01 XXX ± 0.002 XXXX ± 0.0005	MFG				
ANGULAR	APPROVED		SIZE	DWG NO	REV
± 0.50			C	24008-1	N/C
	MATL		SCALE	SHEET 1 OF 1	
	Default				